

# TIPTOE

Technical Manual



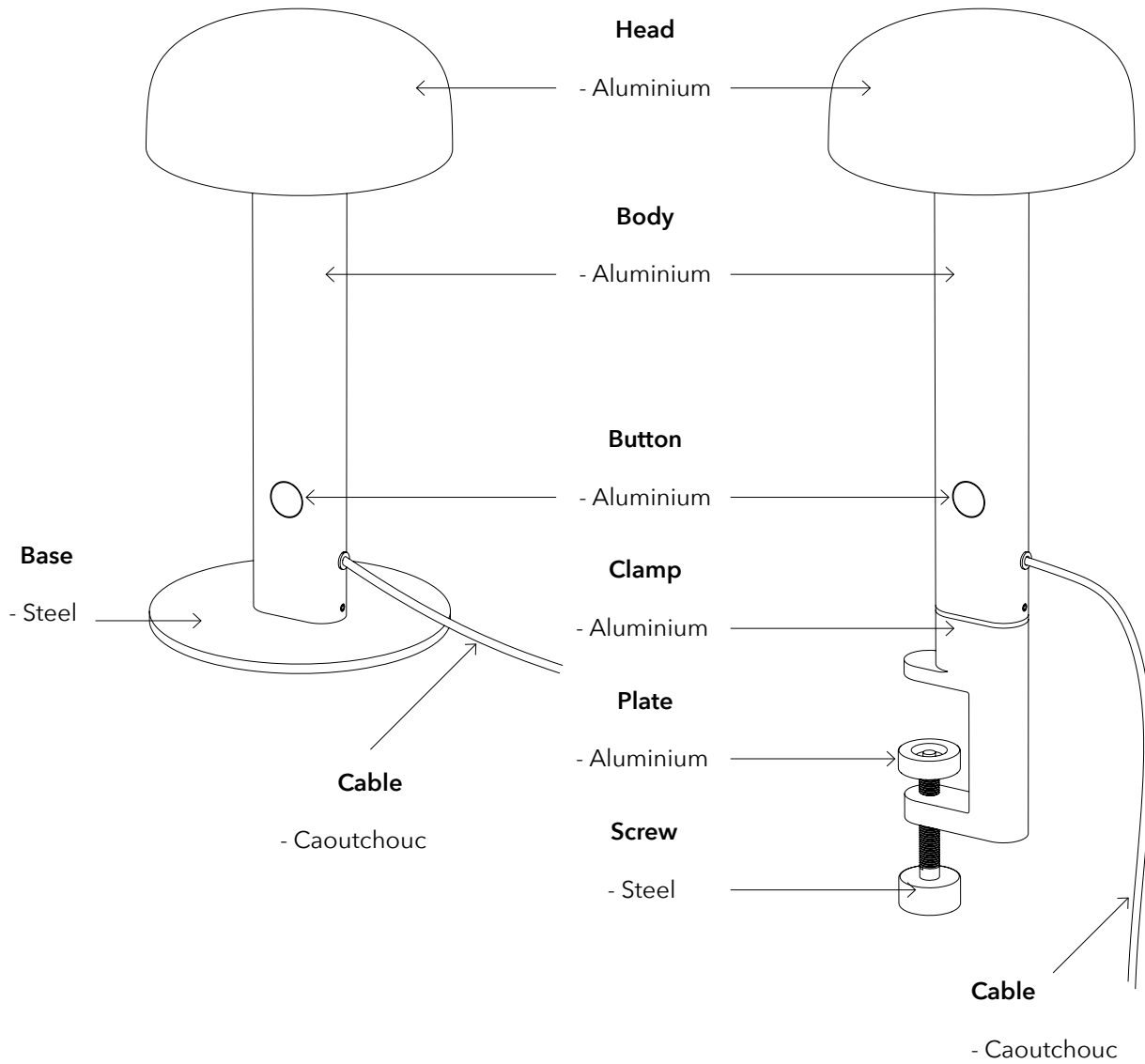
NOD

# NOD LAMPS

---

**Table lamp**

**Clamp lamp**



## NOD LAMPS - 2022

---

Welcome to NOD! The TIPTOE lamp was born after more than a year and a half of development. NOD is a lamp that reinterprets the archetype of the genre. At TIPTOE, we wanted to create a simple and functional lamp with a reassuring shape. It can be easily integrated in any interior and in any room of the house. Its articulated head allows it to swivel up to 35 degrees to either side. The head can be rotated up to 35 degrees to either side, hence the name NOD, which means «nodding head». This allows it to direct the light as required. Its soft, bright and adjustable lighting allows NOD to adapt to a wide variety of uses and atmospheres. It will therefore adapt to the different atmospheres you wish to create. Its simple and playful design makes it an everyday essential that you will never tire of.

## HIGHLIGHTS

---

- Simple and functional lamp.
- Articulation to direct the luminous flux.
- Maximum light intensity: 264 lm.
- Light temperature: 3000k (neutral white).
- Aluminium and steel construction.
- 100% textured polyester powder coated finish.
- CE approved.
- Integrated LEDs.
- Infinitely variable dimmer.
- Suitable for both private and office use.
- For indoor use only.
- IP20 Rated.
- Manufactured in Europe (excluding electrical drivers)

# NOD LAMPS - INSTRUCTION FOR CORRECT INSTALLATION AND USE

---

## WARNING!

The safety of this fitting can only be guaranteed if these instructions are observed, during both installation and use. Please retain these instructions safety.

## REMARKS:

- When installing and whenever acting on the appliance, ensure that the power supply has been switched off.
- The appliance may in no way be modified or tampered with, any modification may compromise safety causing the appliance to become dangerous. TIPTOE declines all responsibility for products that are modified.
- Should the external trailing cable get damaged, it must be replaced by TIPTOE or by qualified personnel in order to avoid any danger.
- The light source cannot be replaced by the customer. Contact TIPTOE for information.
- The device carries no risk of photobiological emissions.
- The symbol shown on the device indicates that the product must be thrown out in a different manner than with the urban trashes.

## TECHNICAL DATA:

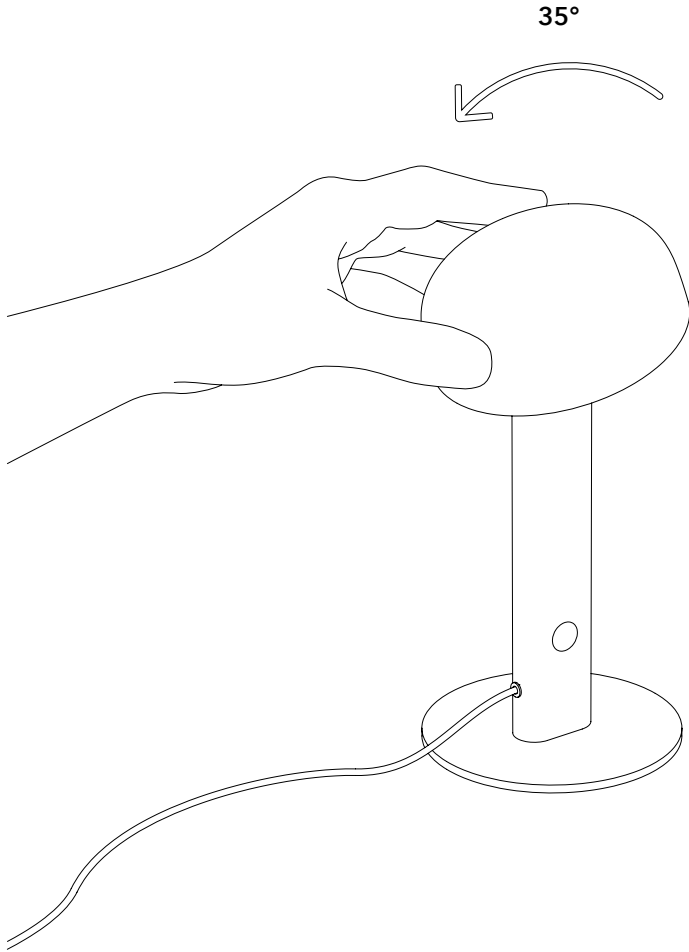
- NOD TABLE LAMP LED : LED board 3W.
- NOD CLAMP LAMP LED : LED board 3W.
- This lighting device has high efficiency LEDs combined with a diffuser that channels the light flow in optimum fashion.

## CLEANING INSTRUCTIONS:

- Use only a soft cloth to clean the appliance, dampened with water and soap or mild cleanser if needed for resistant dirt.
- Warning: do not use alcohol or other solvents.

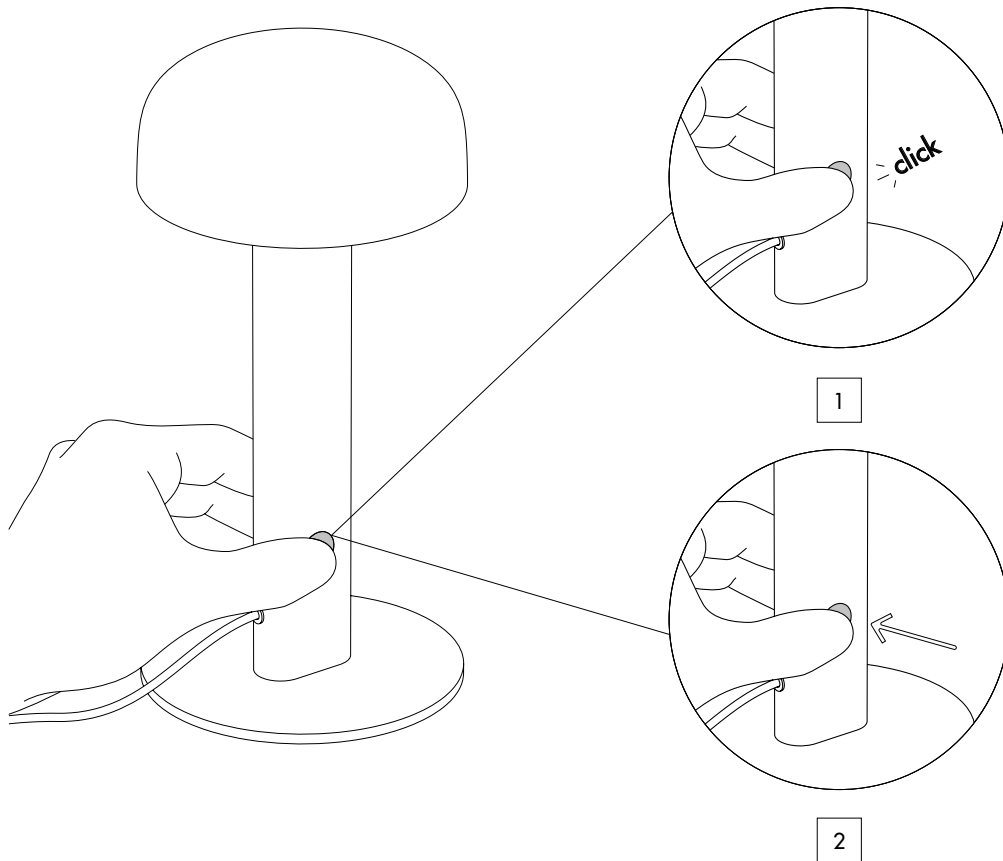
NOD LAMPS - HEAD INCLINAISON

---



# NOD LAMPS - LIGHT VARIATION

---



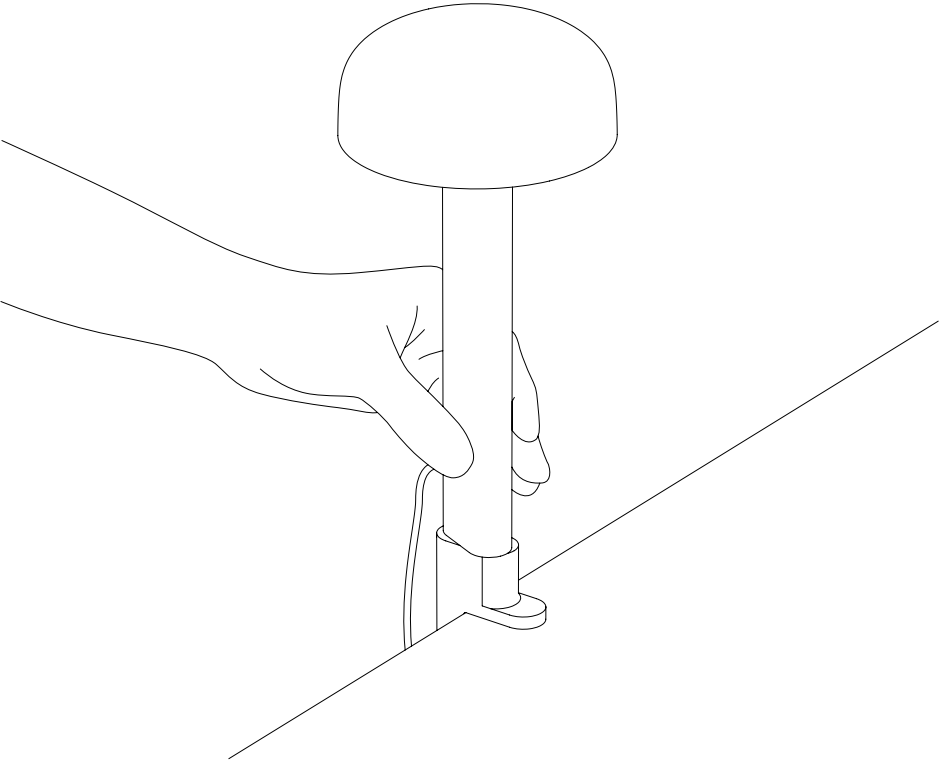
1 Press the button to switch on or off the light.

2 Hold in the on/off button to dim light.

CLAMP LAMP NOD - ROTATION

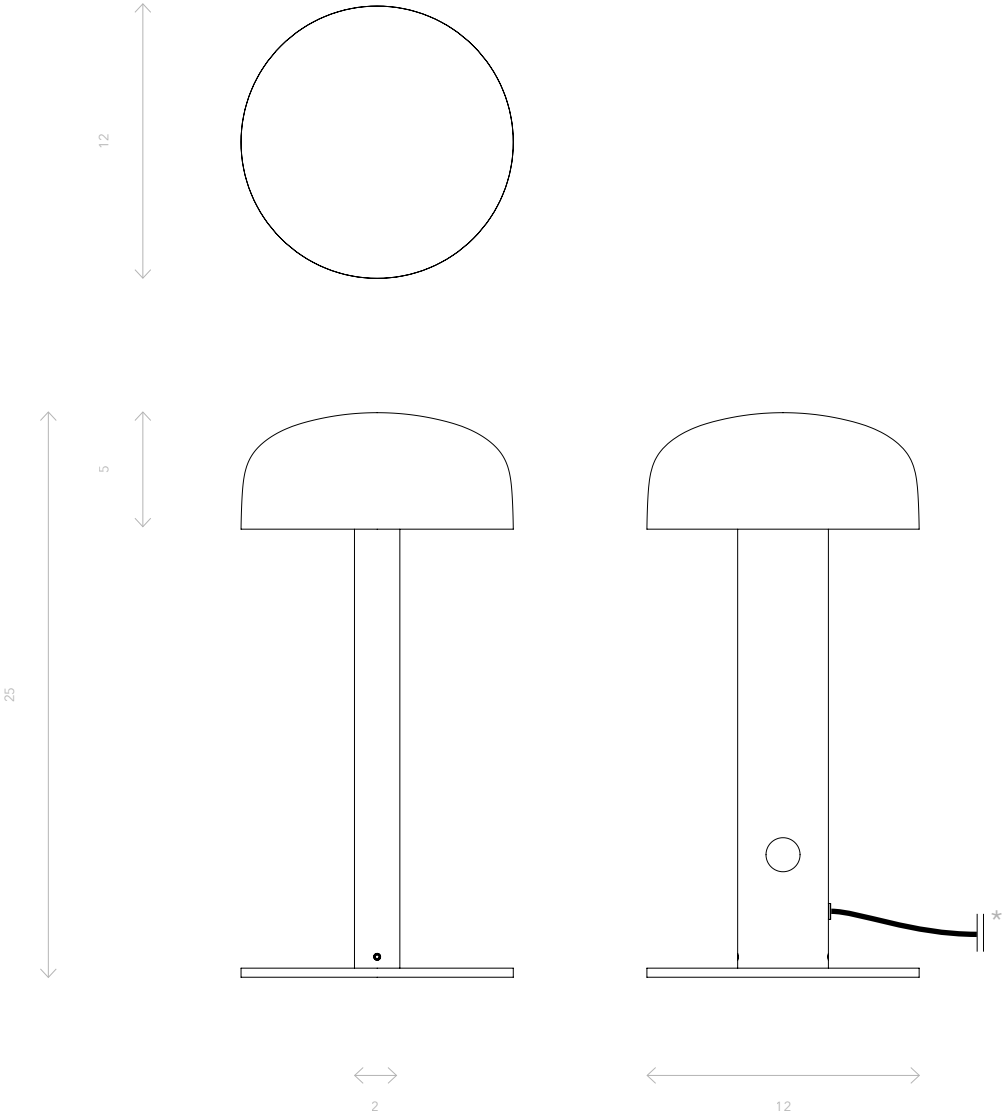
---

360°



# TABLE LAMP - NOD

---

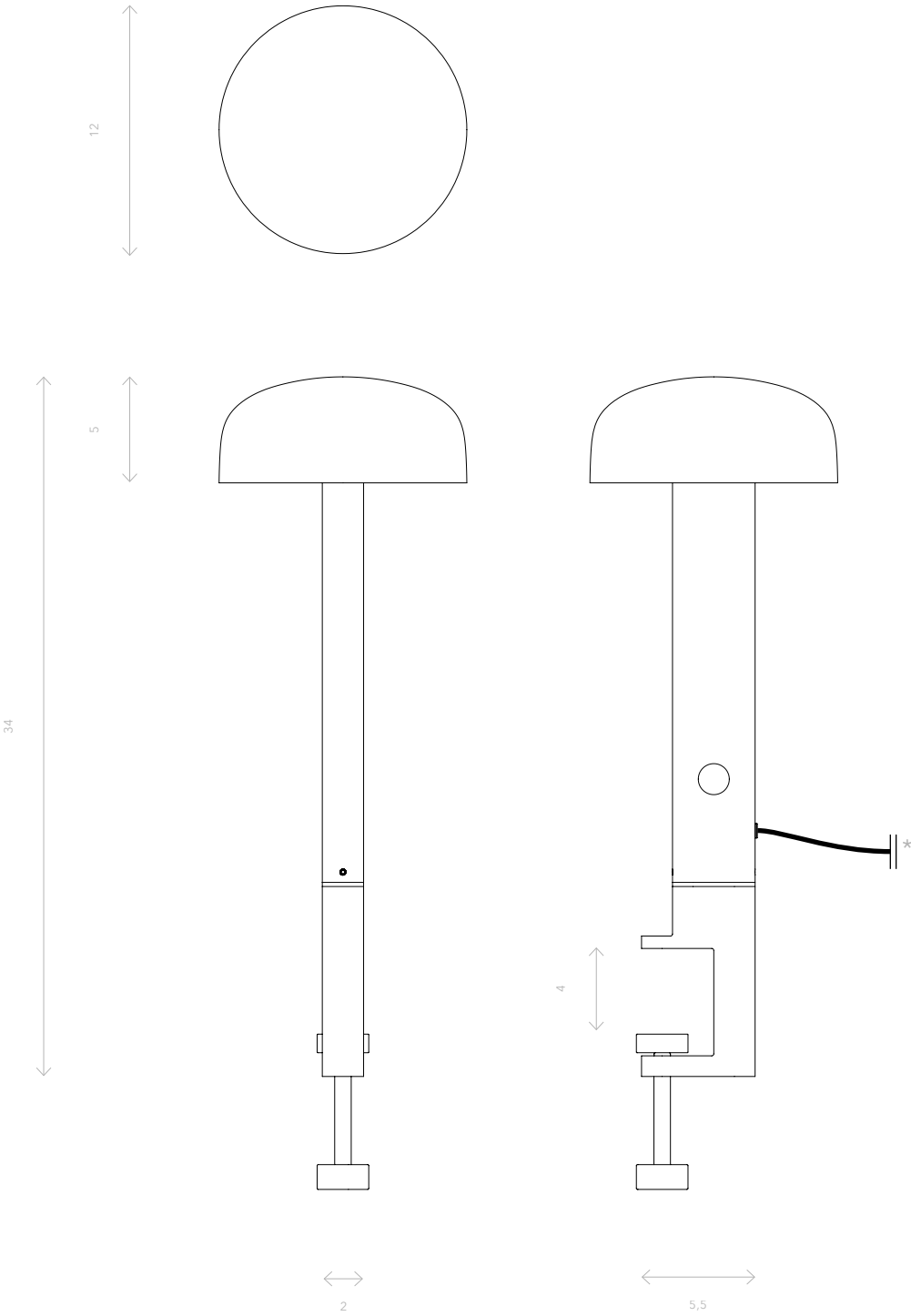


\* Length of power cable : 200 cm



# CLAMP LAMP - NOD


---




\* Length of power cable : 200 cm


**TIPTOE**  
NOD lamp

---

 This luminaire contains built-in LED lamps.

 } LED

The lamp cannot be changed in the luminaire.

874/2012 

NOD lamp	TIPTOE	
12V 50Hz		
Max 3W		
