



**Rowac-Schemel**  
Model-I / 75 cm





# Everything else is just a stool.

The classic - just taller. In the past, the Rowac-Schemel with its 75 cm seating height offered unusual stability while operating large machines, today it's the perfect bar stool. A second strut serves as a comfortable footrest and reinforces the overall construction. Manufactured true to the original in the Ore Mountains.





# Specifications

## Regional production

in the Ore Mountains within a radius of 40 km

## Frame

cold rolled steel, formed and riveted, powder coated

## Seat top

PEFC-certified wood, treated with hard wax oil

## Seat height

75 cm

## Weight

6.2 kg

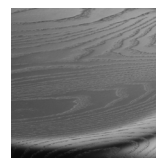
## Wood types



Beech



Ash

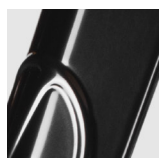


Black ash

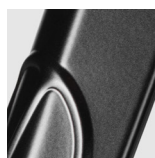


Oak

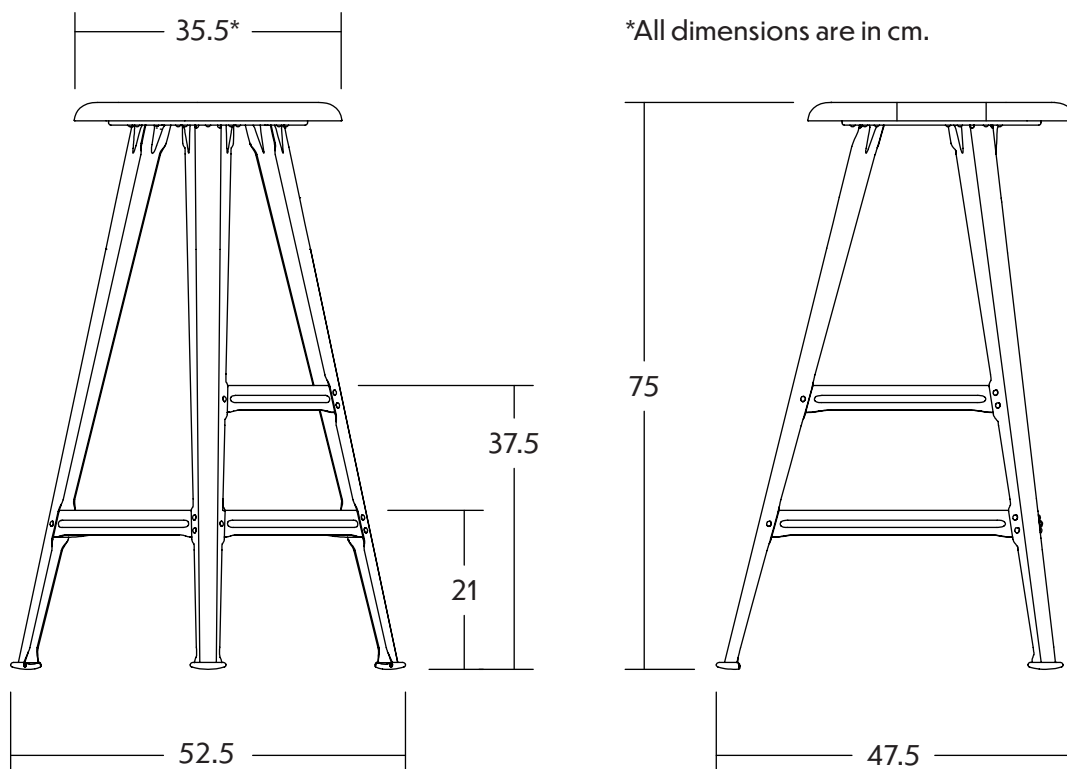
## Frame coating



Glossy black



Matte black



If you have any questions, please contact us at [info@rowac.com](mailto:info@rowac.com)