



Rowac-Schemel
Model-I / 50 cm





Everything else is just a stool.

In 1909, the world's first seating furniture made of riveted steel plate was brought to market. Due to its durability and functional design, the Rowac-Schemel was chosen for many factories and schools, such as the Bauhaus. Now, over 100 years later, this industrial icon is handcrafted true to the original in the Ore Mountains of Germany.





Specifications

Regional production

in the Ore Mountains within a radius of 40 km

Frame

cold rolled steel, formed and riveted, powder coated

Seat top

PEFC-certified wood, treated with hard wax oil

Seat height

50 cm

Weight

3.8 kg

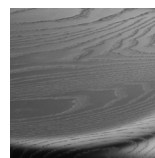
Wood types



Beech



Ash

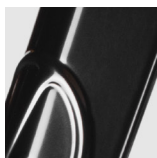


Black ash

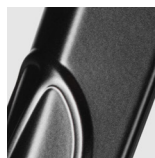


Oak

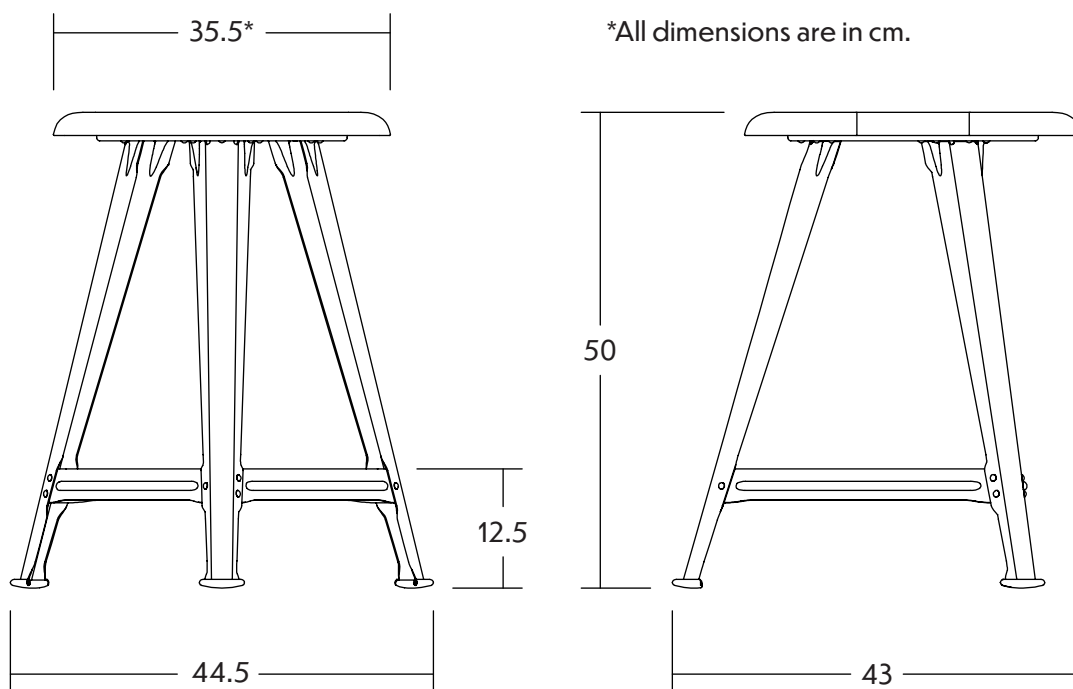
Frame coating



Glossy black



Matte black



If you have any questions, please contact us at info@rowac.com