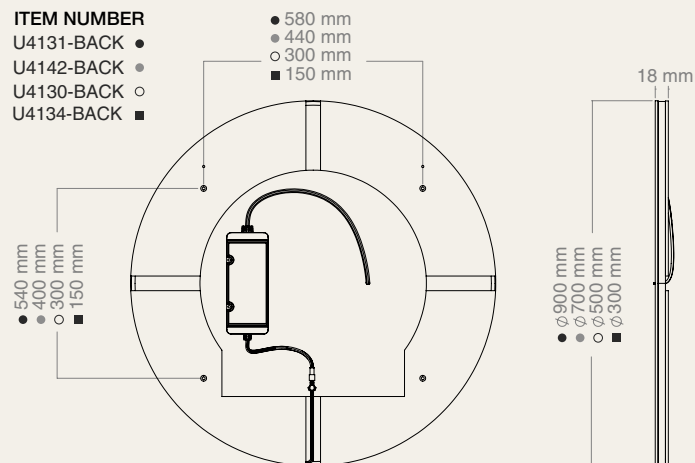
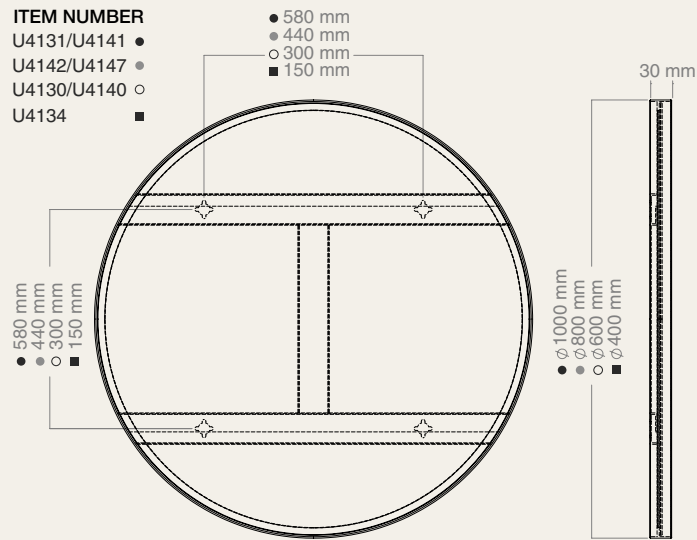


ROUND MIRRORS WITH BACKLIGHT

PRODUCT DETAILS, TECHNICAL DETAILS
AND FITTING INSTRUCTIONS



MATERIAL: ALUMINIUM OR STAINLESS STEEL / MDF

PROTECTION CLASS: IP44 & IP67 / LIGHT NUANCE: 2700K

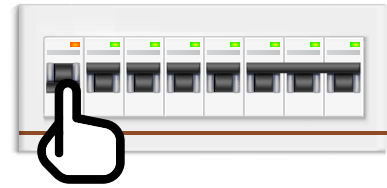
DESIGNED BY BØNNELYCKE MDD

BEFORE INSTALLING PLEASE NOTE

In certain countries, the electrical installation must be carried out by an authorized electrical contractor.

- ⚠ Always turn off the power to the circuit before connecting the power supply.

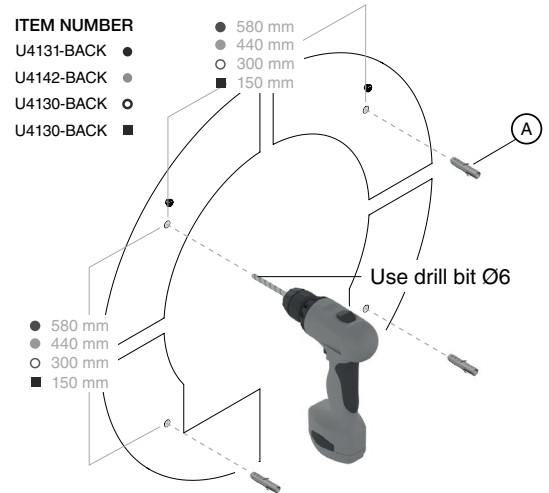
For bathroom installations, we recommend to connect the backlight, to the same circuit as the main light.



MOUNTING OF THE BACKPLATE

Mark the placement of the four screw holes for mounting the backplate on the wall.

- 1 Drill out the marked holes with a 6 mm drill bit and insert the four enclosed $\text{\O}6 \times 30$ mm wall plugs (A).



Secure the backplate (C) on the wall with the four enclosed $\text{\O}4 \times 50$ mm screws (B) and use a Phillips screwdriver with bit PH2 to tighten the screws.

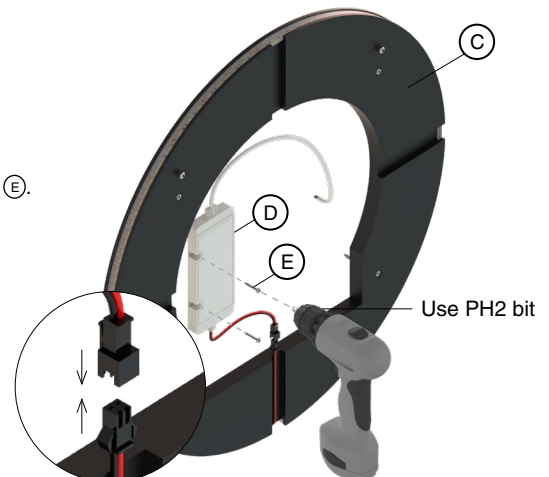
- 2
-

CONNECT THE TRANSFORMER

Connect the transformer (D) to the LED on the backplate (C) by connecting the two back plugs as illustrated.

Secure the transformer on the wall with the two enclosed $\text{\O}3 \times 20$ mm screws (E).

- 3
- TRANSFORMER INFORMATION:**
 INPUT: 185-265VAC 50/60Hz
 OUTPUT: 12VDC +/-3% 3A 36W MAX
 Protection Class: IP44

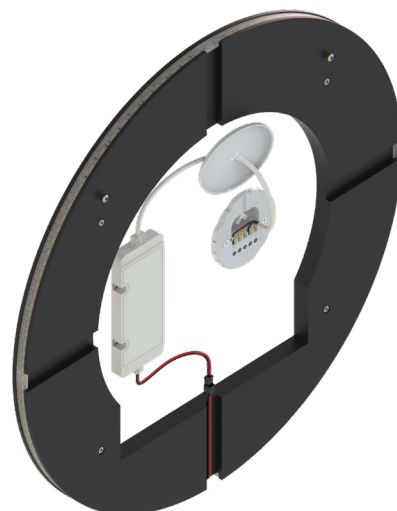


CONNECT TO THE MAIN POWER - OPTION 1

We recommend connecting the transformer directly to the main power supply placed behind the mirror as illustrated.

- 4 This is done by wiring the cable ends on the transformer directly to the outlet.

If this option is not possible and the installation needs extra cable length to reach the main power supply, please see Option 2.

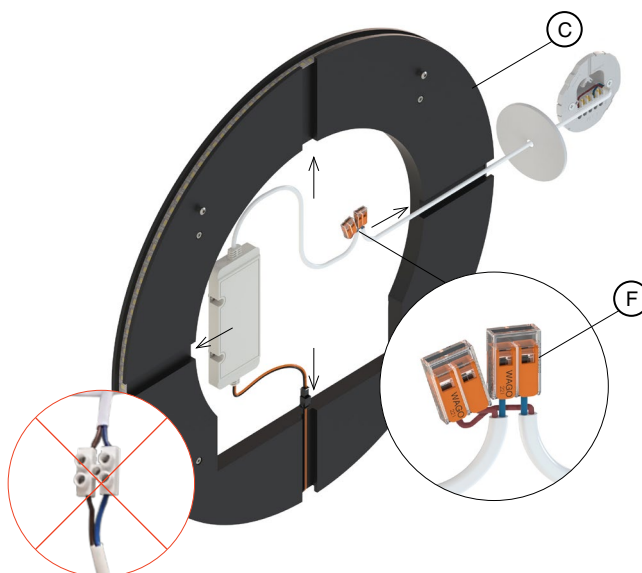


CONNECT TO MAIN POWER - OPTION 2

If the installation needs extra cable length, please use the two enclosed cable connectors (F) to wire the extra cable to the main power supply.

- 5 The cable can be led through one of the four slots in the backplate, depending on the position of the outlet.

CAUTION: When used in the bathroom, do not leave any exposed wire connections. Please contact an authorized electrical contractor for extra guidance.



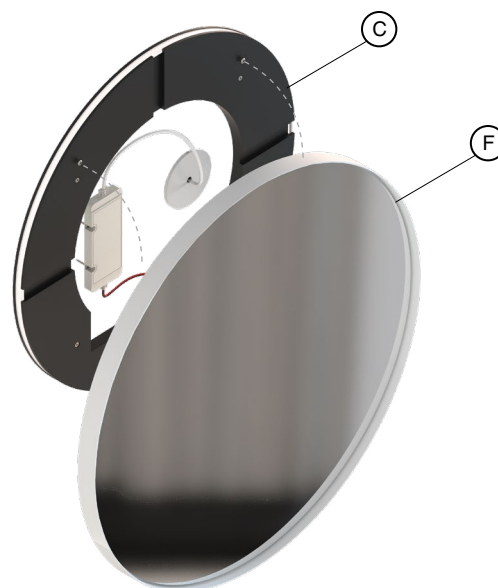
Mount the mirror onto the two mounting screws as illustrated and the mirror is ready for use.

LED INFORMATION:
Color temperature: 2700K
Protection Class: IP67

- 6



Scan or click the QR-code to get further information regarding the kelvin color temperature scale



CLEANING AND MAINTENANCE

Surfaces should be cleaned with a microfiber cloth, glass cleaner or other non abrasive and gentle agents.

ATTENTION:

Never use solvents or aggressive household cleaners like bleach, acids (e.g. descalers) or ammonia-based bathroom cleaner to clean the product. Steel wool and hard brushes can permanently damage the surface of the steel.

EXCLUSION OF LIABILITY

FROST accepts no liability whatsoever for damage to persons or property that occurs or has occurred as a result of improper installation or maintenance, particularly if the safety instructions and other points to note listed are not or have not been observed in full.

WARNING AND HAZARD NOTICES

Improper mounting or use can lead to accidents and serious injuries.

www.frostdenmark.com

We are also to be found as frostdenmark on Facebook,
Instagram, Pinterest and LinkedIn

