



BY APPOINTMENT TO  
THE ROYAL DANISH COURT

**CARL HANSEN & SØN**

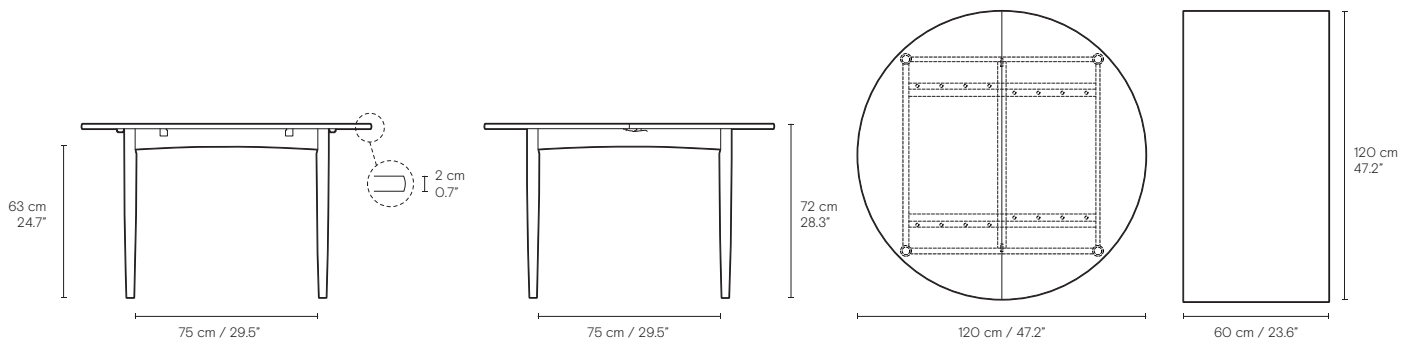


PRODUCT DATA SHEET

**BM0121 DINING TABLE**

Børge Mogensen designed the BMO121 Dining Table in 1952 as a solution for small living environments to seat 4-6 people. The first extendable circular table by Mogensen in the Carl Hansen & Søn collection, the table is crafted in FSC-certified solid oak and displays a particularly light expression owing to a 19mm thick tabletop, slightly tapered legs and an upwardly curving apron. Insert leaves are available in oak or MDF.

SPECIFICATIONS



Packaging dimensions and weight	Height	Width	Length	Cbm	Netto	Tare	Gross	Cartons
BMO121 Dining Table	1325 mm	1270 mm	160 mm	0,27	25,6 kg	8,4 kg	34 kg	1/1
BMO121I Leaves	120 mm	710 mm	80 mm	0,07	11,2 kg	2,2 kg	13,4 kg	1/1

Certifications

FSC®-certified oak (FSC C135991)

